

GE Mining  
Industrea

# **BULLETIN 5647**

## **MK7 MINECRUISER EXHAUST**



Prepared for: **Industry**

Prepared by: **Ross Stutchbury**



# 1 GE Industrea

63 Bonville Avenue, Thornton  
New South Wales 2322  
PO Box 401 Beresfield

(ph) +61 2 40148500  
(fax) +61 2 40148599

**Original Date of Issue: 27-05-2013**

**Title:** Mk7 MineCruiser Exhaust

**Author:** Ross Stutchbury

**Client:** GE Industrea

**Client Contact:** Ross Stutchbury

**Client Reference:**

**Industrea Reference: 5647**

**Synopsis:** This Bulletin advises product recall for Mk7 MineCruiser exhaust system support brackets.

## 1.1 Revision / Checking History

REVISION NUMBER	DATE	CHECKED BY	ISSUED BY
A QLD	27.05.13		RCS
B NSW	28/5/2013		RCS

## 1.2 Distribution

DESTINATION	1.2.1.1 REVISION NUMBER									
	A	B	C	D	E	F	G	H	I	J
GE Industrea Library Sales Mk7 MineCruiser users	1	1								
	QLD	NSW								

## BULLETIN MineCruiser Exhaust System

GE Industrea has been notified of a number of breaches where the exhaust pipe adaptor to turbo fixed connection has failed on a Mk7 MineCruiser. The joint failure is a breach of explosion protection that makes the diesel engine unsafe for operation in underground coal mines.



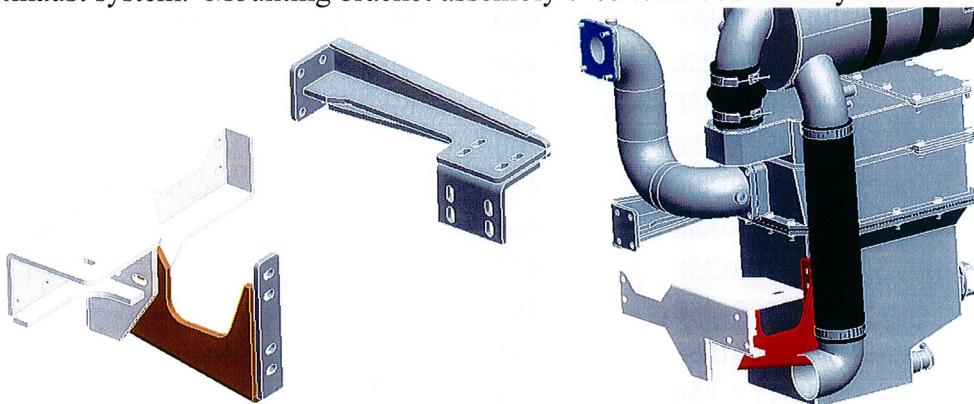
### Communication: Mk7 MineCruiser Exhaust Inspection

GEI recommend that Mk7 MineCruiser exhaust systems be inspected to ensure that the exhaust system joint integrity on all vehicles is intact. Recommendation for compliance for this requirement is to conduct a soapy water test on exhaust fixed joints from exhaust manifold to pipe/scrubber connection, and maintain elevated inspection at a suitable level until recommended modification is complete.



### Individual Recall: Mk7 Exhaust System - scrubber mounting brackets.

Mk7 MineCruiser vehicle operators are advised by way of this notice of a product recall for the Mk7 MineCruiser scrubber mounting brackets to rectify a fault with the exhaust system. The scrubber mounting bracket design has been reviewed and a new set of mounting brackets designed to provide improved support for the rigid pipe exhaust system. Mounting bracket assembly 7-054712-700 identify the new brackets.



1	7-054481-700	A	BRACKET REAR EXH SCRUBBER ASSY
2	7-054482-700	A	BRACKET FRONT EXHAUST SCRUBBER
4	7-054857-700	A	MOUNT,CONDITIONER,ENGINE

The recall applies to those machines shown in the following table.  
Mk7 vehicles Register

Support Brkt	M10	Vehicle	Serial No	Plant No	Site
Installed		MINECRUISE	500	MK7.0	MT7004 NEWSTAN
Installed		MINECRUISE	499	MK7.0	PJB14 ANGUS PLACE
Installed		MINECRUISE	498	MK7.0	SMS54 SPRINGVALE

Installed	MINECRUISE	495	MK7.0	PJB025	CRINUM
Installed	MINECRUISE	494	MK7.0	PJB024	CRINUM
Installed	MINECRUISE	493	MK7.0	PJB023	CRINUM
Installed	MINECRUISE	492	MK7.0	MT9055	MYUNA
Installed	MINECRUISE	491	MK7.0	MT9054	MYUNA
Installed	MINECRUISE	490	MK7.0	PJR510	CHARBON
Installed	MINECRUISE	489	MK7.0 UTE		ENSHAM
Recall	MINECRUISE	488	MK7.0	PT22	RAVENSWORTH U/G
Installed	MINECRUISE	487	MK7.0	PT21	RAVENSWORTH U/G
Installed	MINECRUISE	486	MK7.0	PT20	RAVENSWORTH U/G
Recall	MINECRUISE	485	MK7.0	PT18	LIDDELL SEAM
Recall	MINECRUISE	484	MK7.0	PT17	LIDDELL SEAM
Recall	MINECRUISE	483	MK7.0	MT7004	NEWSTAN
Recall	MINECRUISE	482	MK7.0	MT7002	NEWSTAN
Recall	MINECRUISE	481	MK7.0	MT313	CLARENCE
Recall	MINECRUISE	477	MK7.0	RGN08	RGN SERVICES
Recall	MINECRUISE	475	MK7.0	MTS45	SPRINGVALE
Installed	MINECRUISE	474	MK7.0	MTS44	SPRINGVALE
Recall	MINECRUISE	473	MK7.0	MTS43	SPRINGVALE
Recall	MINECRUISE	472	MK7.0	MT312	CLARENCE
Recall	MINECRUISE	471	MK7 PC	MT311	CLARENCE
Installed	MINECRUISE	470	MK7 PC	MT10	ANGUS PLACE
Recall	MINECRUISE	469	MK7 PC	MT7001	NEWSTAN
Recall	MINECRUISE	468	MK7 PC	PT18	NEWLANDS
Recall	MINECRUISE	467	MK7 PC	PT17	NEWLANDS
Recall	MINECRUISE	466	MK7 PC	PT16	NEWLANDS
Recall	MINECRUISE	465	MK7 PC	PT15	NEWLANDS
Recall	MINECRUISE	464	MK7 PC	PT14	NEWLANDS
Recall	MINECRUISE	463	MK7 PC	PT13	NEWLANDS
Recall	MINECRUISE	462	MK7 PC	PT12	NEWLANDS
Recall	MINECRUISE	461	MK7 PC	PJ4003	MANDALONG
Installed	MINECRUISE	460	MK7 PC	PJ4002	MANDALONG
Recall	MINECRUISE	459	MK7 PC	MTA03	AIRLY
Recall	MINECRUISE	458	MK7 PC	MTA02	AIRLY
Recall	MINECRUISE	457	MK7 PC	MTA01	AIRLY
Recall	MINECRUISE	452	MK7 PC		MANDALONG
Recall	MINECRUISE	451	MK7 PC	MT9052	MYUNA
Recall	MINECRUISE	450	MK7.0	SM503	CHARBON
Recall	MINECRUISE	443	MK7 DCU		ENSHAM
Recall	MINECRUISE	442	MK7 PC		ENSHAM
Recall	MINECRUISE	441	MK7 PC		ENSHAM
Recall	MINECRUISE	440	MK7 PC		ENSHAM
Installed	MINECRUISE	436	MK7 DCU	MPT108	INTEGRA
Installed	MINECRUISE	435	MK7 PC	MPT107	INTEGRA
Installed	MINECRUISE	434	MK7 PC	MPT106	INTEGRA

Recall	MINECRUISE	433	MK7 PC	MPT105	INTEGRA
Recall	MINECRUISE	432	MK7 PC	MPT104	INTEGRA
Installed	MINECRUISE	431	MK7 PC	MPT103	INTEGRA
Recall	MINECRUISE	430	MK7 PC	MPT102	INTEGRA
Recall	MINECRUISE	429	MK7 PC	MPT101	INTEGRA



#### **Preparation: Turbo Thread Modification**

GE Industrea is currently working to further enhance the security of the turbo/exhaust adapter plate joint for new vehicles. The turbo outlet joint currently has M8 threaded connection available for coupling the exhaust adaptor plate. Work is under way to increase the M8 thread in the turbo to M10. Practical trial, verification and approval of the turbo modification are in progress. Further notice to industry will be made once this modification option is available.



#### **Communication: Removal and Replacement of Exhaust System Conditioner Mounting Brackets**

**Report 5444A** has been issued to outline the procedure for installing the new exhaust system. Please make contact with our Rutherford or Emerald workshops to allow GE Industrea to schedule this work.

GE Industrea Thornton  
02 40148500

GE Industrea Rutherford  
02 40159000

GE Industrea Emerald  
07 4982 0066

